

DirectDrive small:Model DDs5923H Brushless Motor

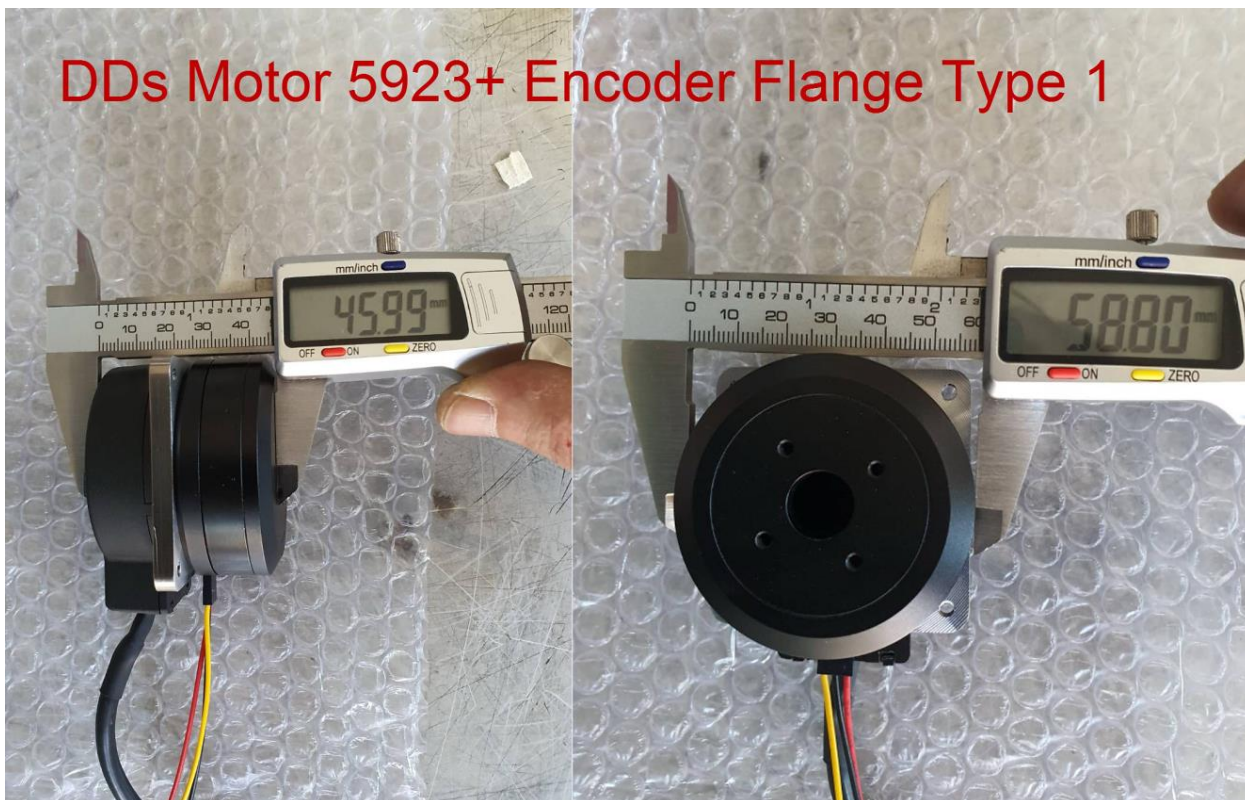
Features:

- 3 Phase Outer Rotor Brushless Motor without hall sensor
- Low Speed, Large Torque
- Sealed Casing, Dust- proof design
- High Precision and High Performance
- Safe and Reliable, Running Smoothly
- Lightweight, Energy Saving
- Low Noise, Long Life

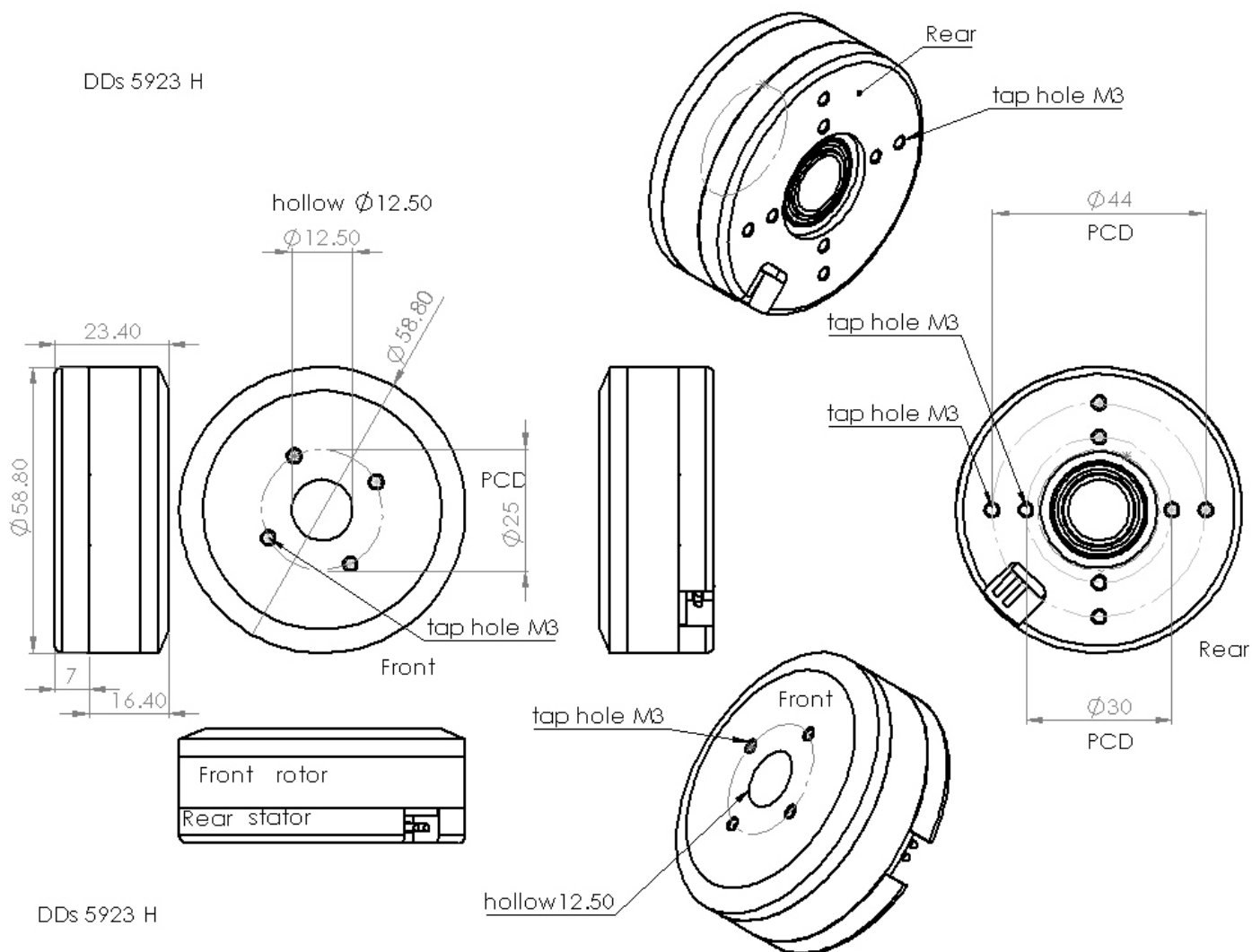
Specifications:..-

Item No.	DDs 5923H ;Name : Brushless Disc Motor		
Motor Type	Brushless DC/ Outer rotor/ No sensor		
Weight (g)	172;	Motor Dimension (DxL)(mm)	59x23.5
Diameter Hollow shaft (mm)	12.6 ;	Configuration	24N22P
Number of pole pairs	11 ;	Winding Type	WYE & SineWave back EMF
Resistance (Ri) (Ohm)	10.8 ;	rated power	180watt
Recommended Voltage (V)	12- 48V		
Max. nominal Voltage (V)	72V		
KV (RPM/V)	38		
No Load Current (A)	0.06A		
Stall Current (A)	4.2A; peak current 12A		
Operating Temperature Range	-40 to +150 degree Celsius		
Rated Torque N.m	0.49 N.m		
Peak torque	1.65 N.m.		
Inductance (mH)	9.2 mH		
Max. Speed @48V =	1850 rpm		
Max. speed @72V =	2736 rpm.		

DDs Motor 5923+ Encoder Flange Type 1



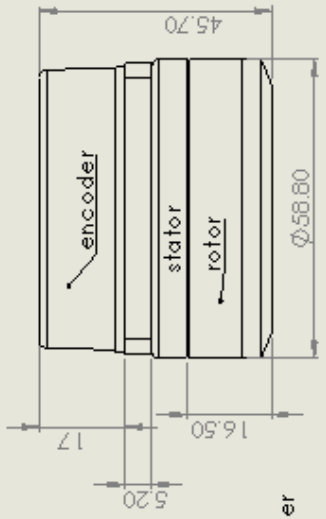
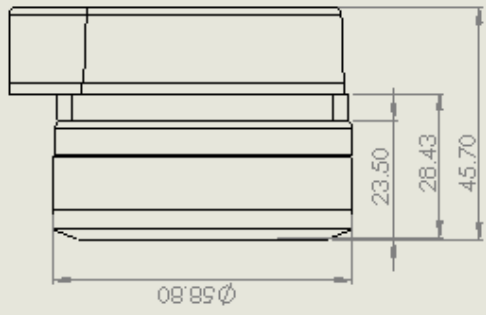
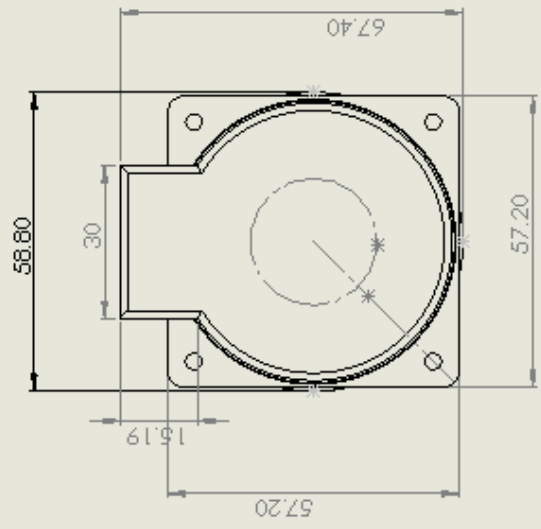
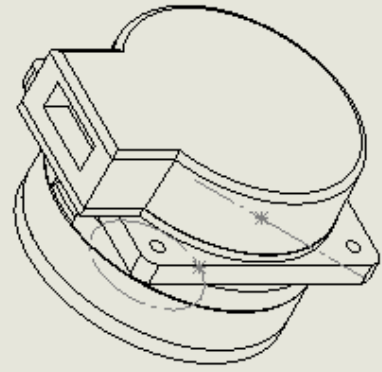
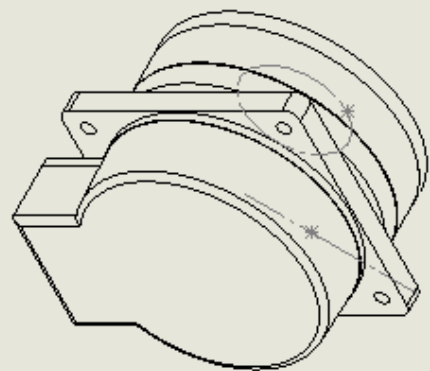
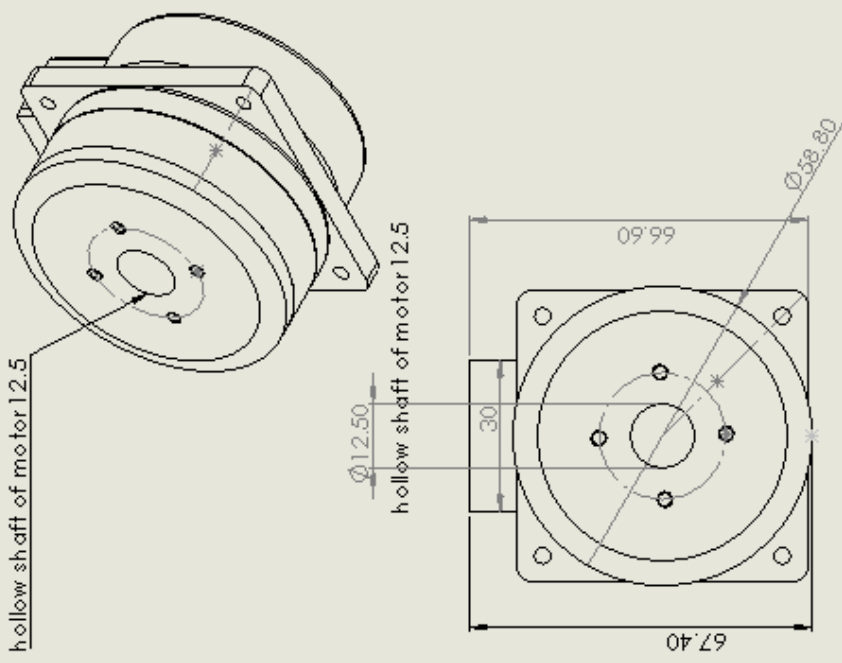
DDs 5923 H



DDs 5923 H

type 1

Assem DDs 5923_flange_Encoder



Assem DDs 5923_flange_Encoder